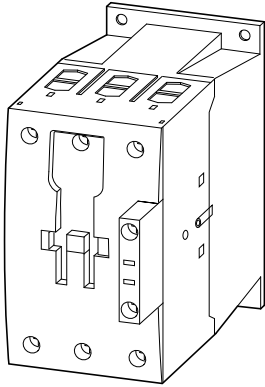


**DILM(C)80...-EA,
DILM(C)95...-EA,
DILM(C)115...-EA,
DILM(C)150...-EA,
DILM170...-EA**



**Инструкция по монтажу
Návod k montáži
Instrukcja montażu
Instrucțiuni de montaj
Montaj talimatı**



**Электрический ток!
Опасно для жизни!**

Только специалисты или
проинструктированные лица могут
выполнять следующие операции.



Nebezpečí úrazu elektrickým proudem!

Níže uvedené práce směřují provádět pouze osoby s
elektrotechnickým vzděláním.



**Porażenie prądem elektrycznym stanowi
zagrożenie dla życia!**

Opisane poniżej prace mogą przeprowadzać tylko
wykwalifikowani elektrycy oraz osoby odpowiednio
poinstruowane w zakresie elektrotechniki.



Atenție! Pericol electric!

Toate lucrările descrise trebuie efectuate numai
de personal de specialitate calificat și de persoane
cu cunoștințe profunde în electrotehnică.

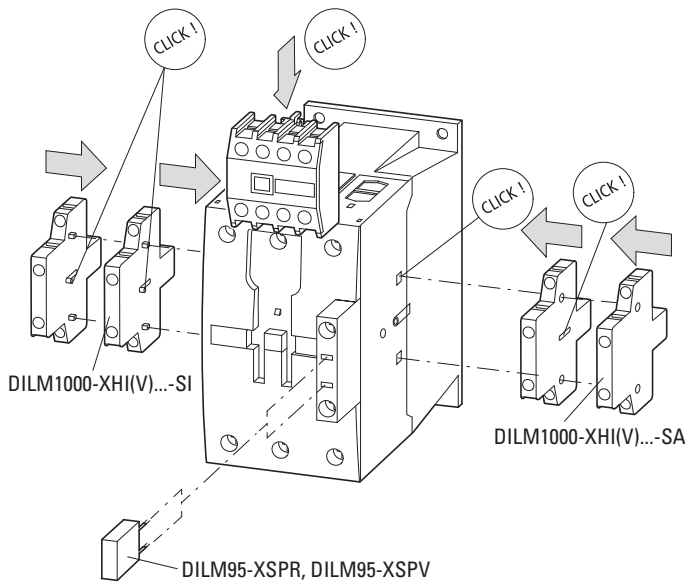


Elektrik akımı! Hayati tehlike!

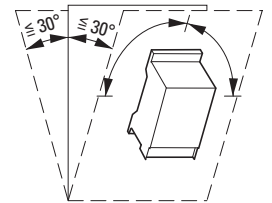
Aşağıdaki işlemleri yalnızca kalifiye veya eğitimli
kişiler gerçekleştirebilir.

CAUTION

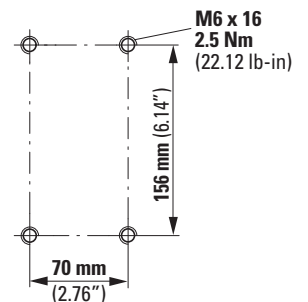
The opening of the branch-circuit protective device may be an indication that a fault has been interrupted. To reduce the risk of fire or electrical shock, current-carrying parts and other components of the controller should be examined and replaced if damaged. If burnout of the element of an overload relay occurs, the complete overload relay must be replaced.

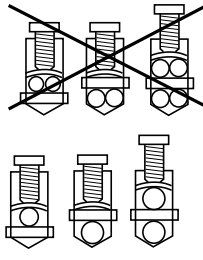


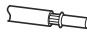






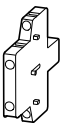

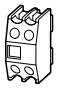
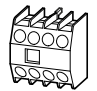
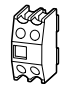
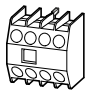
- Установочное положение**
- Poloha při montáži**
- Pozycja montażu**
- Poziția de montaj**
- Montaj konumu**

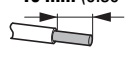

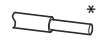
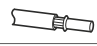


- с резьбовым креплением**
- Uchycenie pomocí šroubů**
- Mocowanie na śruby**
- Fixare cu șuruburi**
- Vidalı bağlantı**



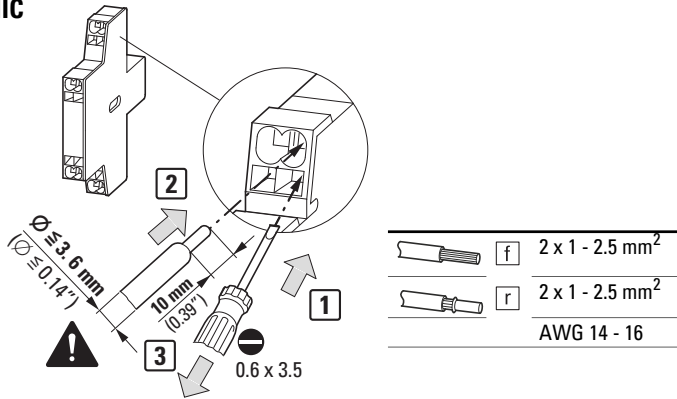
	24 mm (0.94")	DILM80...-EA DILM95...-EA	DILM115...-EA DILM150...-EA DILM170...-EA	Single AWG	Double AWG	
		mm ²	mm ²			
	-	-	-	8 - 3/0	8 - 2/0	14 Nm (123.9 lb-in)
	1 x (10 - 70)	1 x (10 - 95)				
	2 x (10 - 50)	2 x (10 - 70)				
	1 x (16 - 70)	1 x (16 - 95)				
	2 x (16 - 50)	2 x (16 - 70)				18 Nm (159.3 lb-in)
	2 x (6 x 16 x 0.8)	2 x (6 x 16 x 0.5)			3/0	

						
	DILM1000- XHI(V)(C)11-SI	DILM1000- XHI(V)(C)11-SA	DILM150-XHI(C)20 DILM150-XHI(C)11 DILM150-XHI(C)02	DILM150-XHI(C)40 DILM150-XHI(C)31 DILM150-XHI(C)(V)22 DILM150-XHI(C)13 DILM150-XHI(C)04	DILM150- XHI(C)11	DILM150- XHIA(C)22
DILM80...-EA	2 x	2 x	-	-	-	-
DILM95...-EA	2 x	-	-	-	-	1 x
DILM115...-EA	2 x	-	-	-	1 x	-
DILM150...-EA	-	2 x	-	1 x	-	-
DILM170...-EA	-	2 x	1 x	-	-	-

	10 mm (0.39")	A1/A2 13/14 21/22 ...	mm ²	AWG	
					Z2
	*	0.75 - 2.5	18 - 14	1.2 Nm (10.6 lb-in)	
					

* DILMC... DILM150-XHIC...

DILM1000-XHIC



DILM150-XHIC

